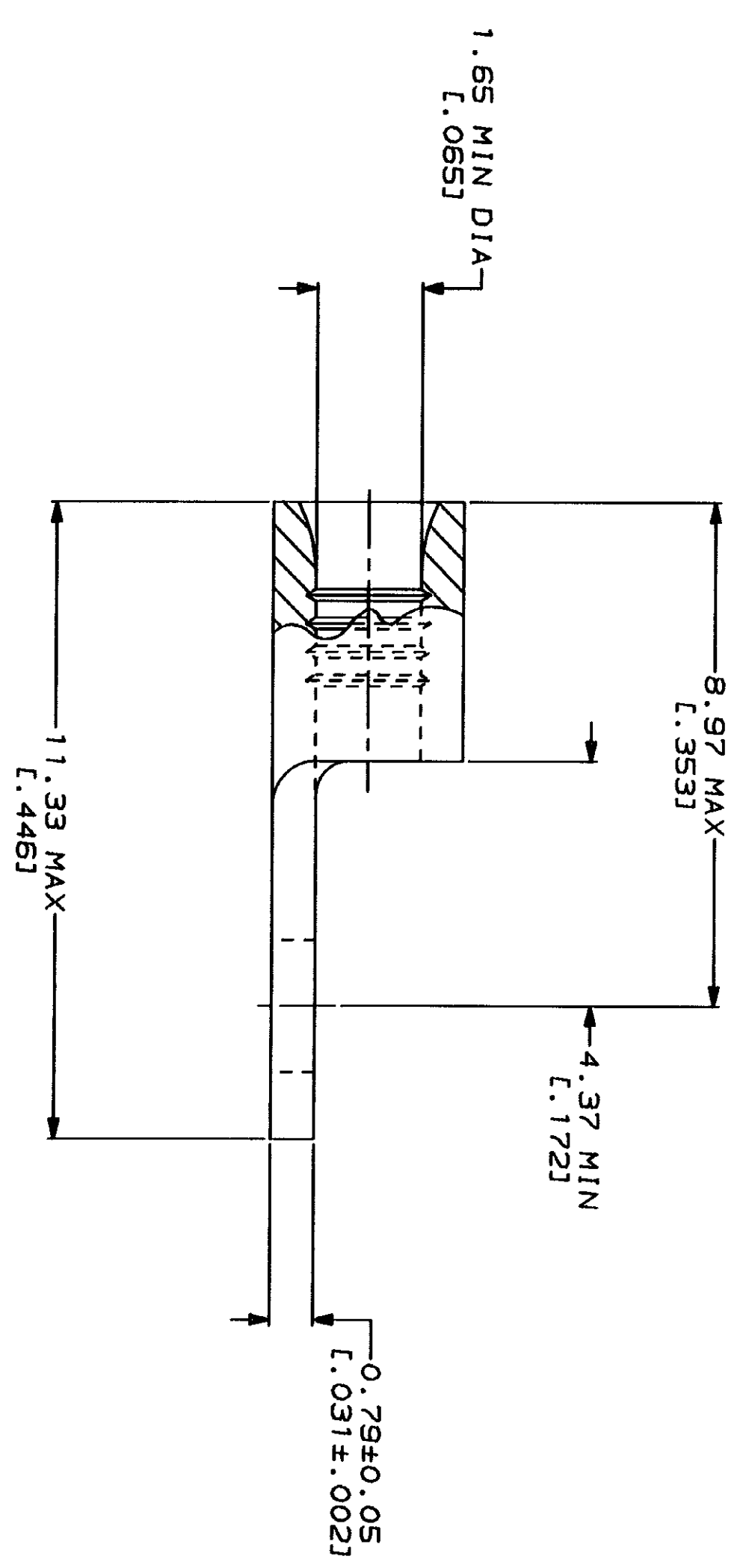
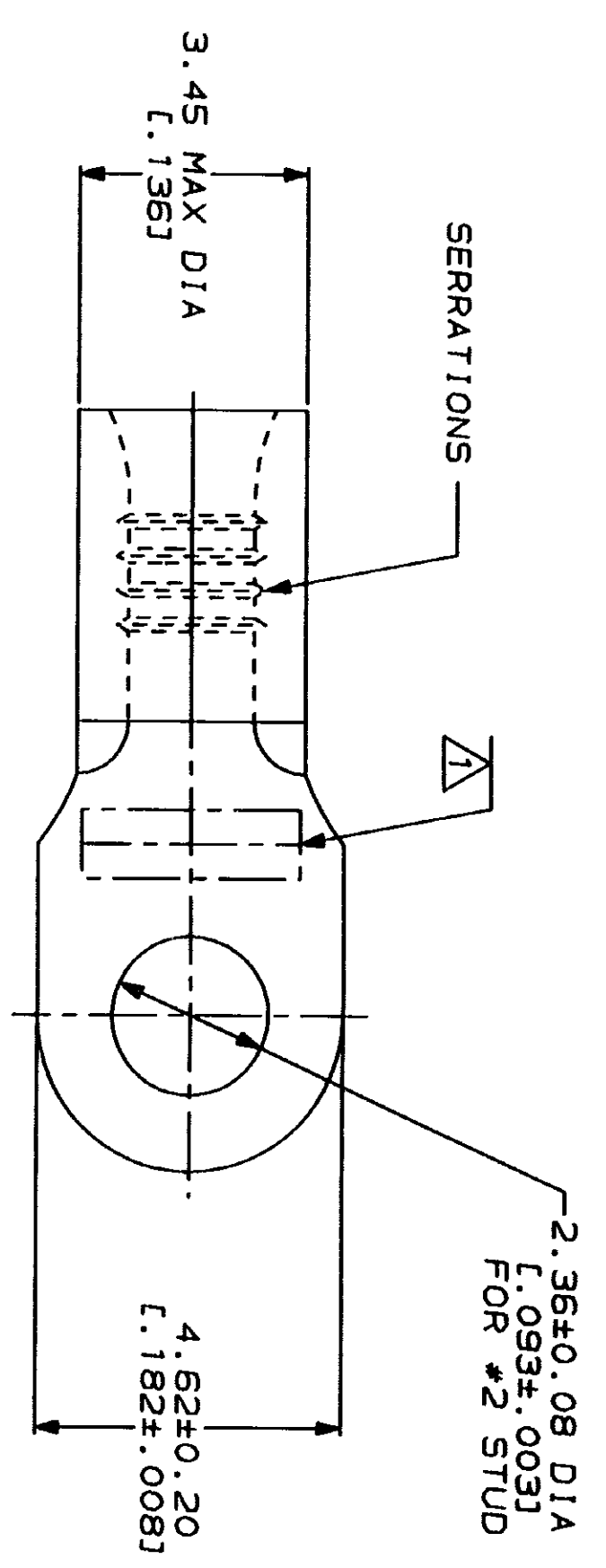
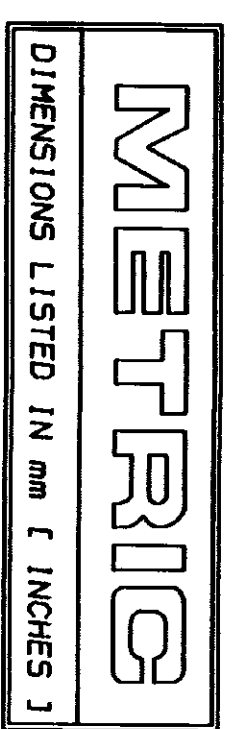


LOC	DISP	REV	DATE	APP
G	14			
REVISIONS				
			DESCRIPTION	
			REVISED PER 0720-0230-93	
			2/28/94	AMP



STAMP AMP 22-18* APPROX AS SHOWN
 22-16 TERMINALS ARE STAMPED 22-18 IN
 ACCORDANCE WITH MILITARY SPECIFICATION
 MIL-T-7928, COMMERCIAL WIRE RANGE IS 22-16

WIRE RANGE	AMP	IL E13288 Listed
22-16 AWG STRANDED		22-16 AWG STRANDED
NOT CERTIFIED	LR7189 Certified	MILITARY P/N AND CLASS
		NOT APPLICABLE

AMP INCORPORATED
 CUSTOMER SERVICE SYSTEMS

FOR ADDITIONAL PRODUCT INFORMATION OR COPIES OF DRAWINGS AND TECHNICAL DOCUMENTS	PRODUCT INFORMATION CENTER 1-800-522-6752
FOR APPLICATION TOOLS INFORMATION	TOOLING ASSISTANCE CENTER 1-800-722-1111
FOR ORDER ENTRY	1-800-526-5142

MAX RECOMMENDED OPERATING TEMPERATURE: 170°C MAX

VOLTAGE RATING: NOT APPLICABLE

WIRE CROSS SECTIONAL AREA RANGE: 0.26-1.65mm² [509-3,260] CIR MILS STRANDED

FINISH: TIN PLATE
 0.00254 [L. 000100J] MIN THK PER MIL-T-10727

DR 2-2-93
 TA BRILIKMAN
 CHK 2-2-93
 DA PATTERSON
 APPD 2-2-93
 DE MILLER
 APPD 2-2-93
 JL NECKLEY
 PRODUCT SPEC

AMP
 Amp Incorporated
 Harrisburg, PA 17105-3608

TERMINAL, RING TONGUE,
 BUDGET

NAME: AMP
 SIZE: 00779
 CAGE CODE: 00779
 DRAWING NO: 320677
 SCALE: 10:1
 SHEET: 1 OF 1